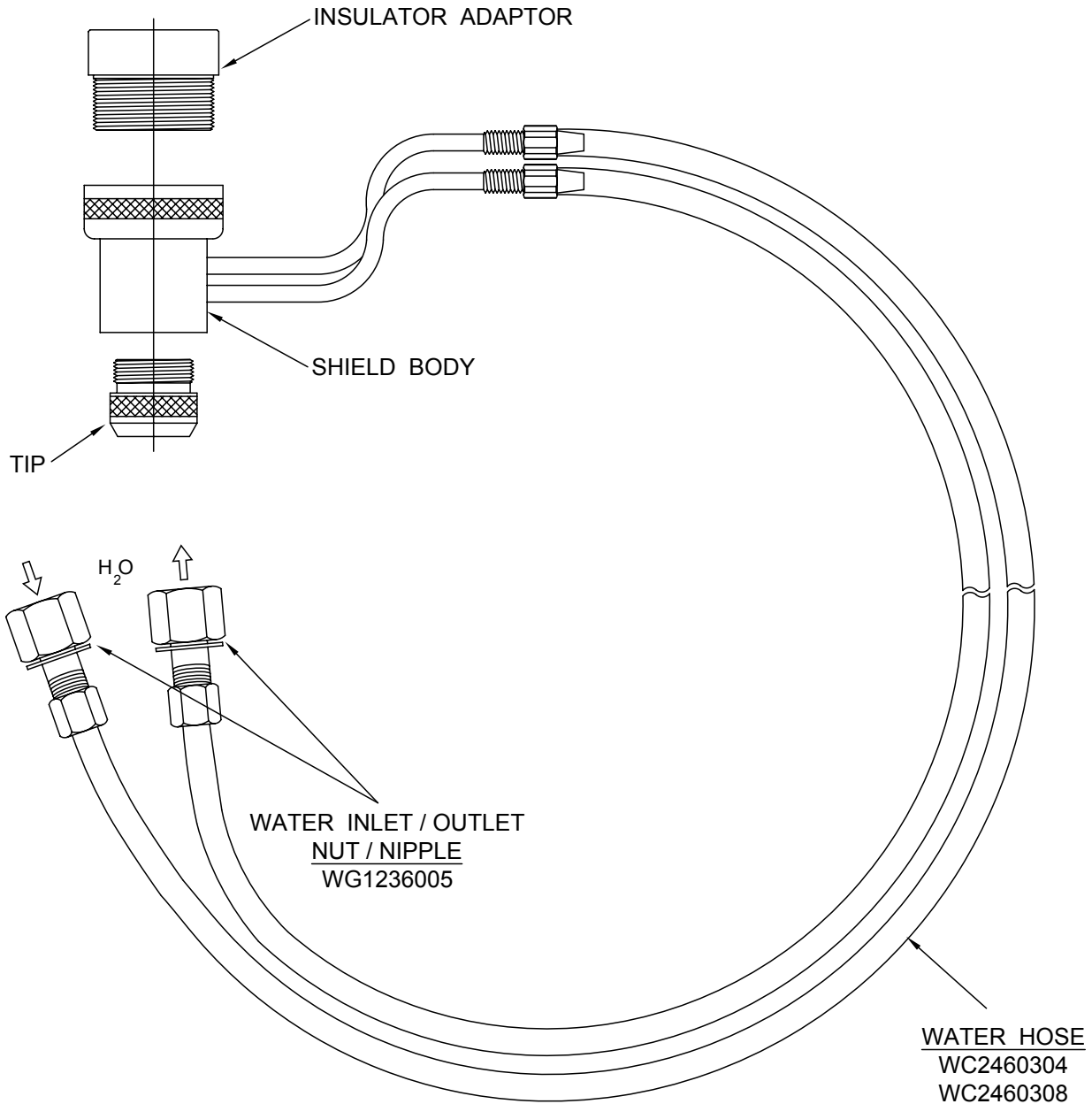


WATER COOLED SHIELD



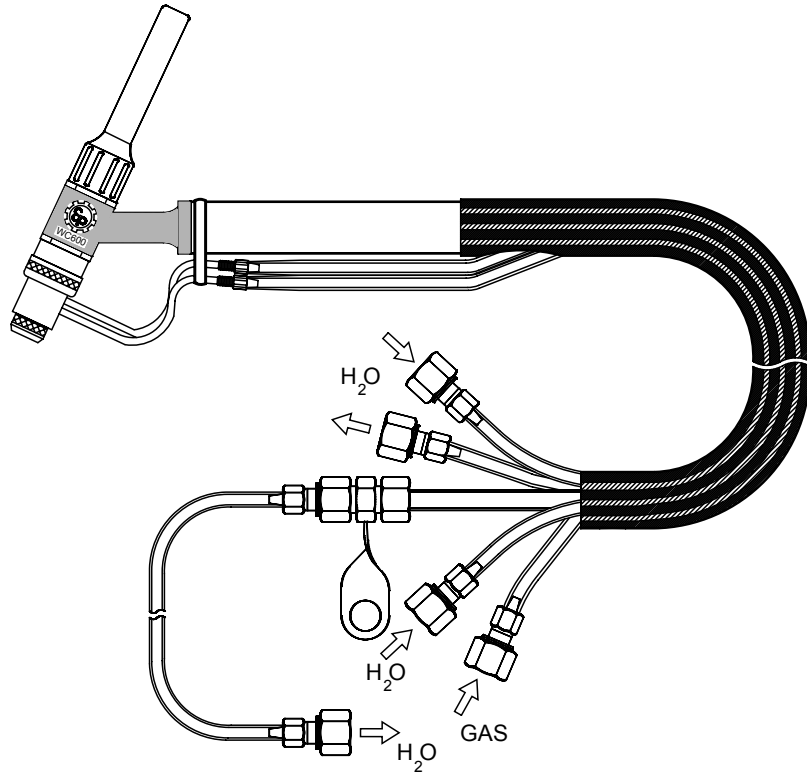
WATER COOLED SHIELD

DESCRIPTION	WC150; 180; 210; 220	WC300; 350; 40; 400; 410	WC600; 550
	PART NO.	PART NO.	PART NO.
COMPLETE - 4M	WC2100204	WC4000204	WC6000204
COMPLETE - 8M	WC2100208	WC4000208	WC6000208
INSULATOR ADAPTOR	WC2100081	WC4000081	WC6000081
SHIELD BODY	WC2100082	WC4000082	WC6000082
TIP (BORE - 6 mm)	WC2100306	--	--
TIP (BORE - 8 mm)	WC2100308	WC4000308	--
TIP (BORE - 10 mm)	WC2100310	WC4000310	WC6000310
TIP (BORE - 13 mm)	--	WC4000313	WC6000313
TIP (BORE - 16 mm)	--	WC4000316	WC6000316
TIP (BORE - 20 mm)	--	--	WC6000320

IN VIEW OF CONTINUOUS DEVELOPMENT, WE RESERVE THE RIGHT TO MODIFY THE DESIGN AND/OR DIMENSIONS WITHOUT NOTICE.

WATER COOLED SHIELD

FACTORY ASSEMBLED



ASSEMBLED BY USER

